



02 Mudguards and Accessories

MUDGUARDS ROUND PLASTIC

Material: polyethylene; colour: black

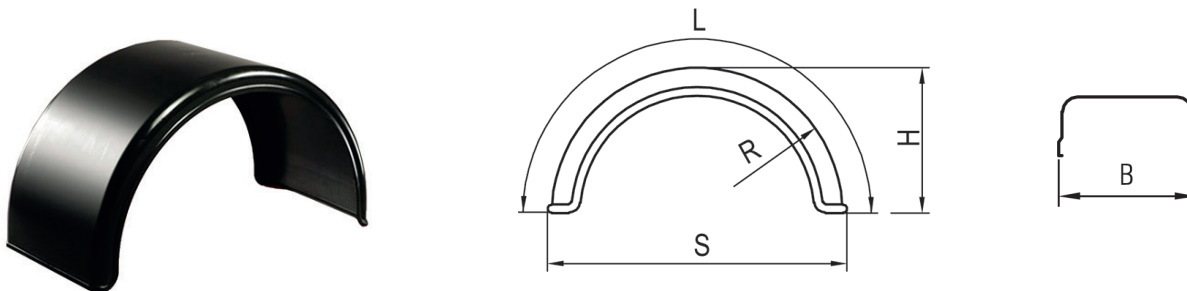
Material: istoflex for mudguards: 0211240.200, 0211270.100, 0211270.200

Properties: lightweight, high strength and flexibility, weather resistant

Choose the size of the mudguard according to the width of the tyre (+ min. 60 mm) and tyre radius (+80 mm or more)

Mudguard shape for: 0211200.000, 0211220.100, 0211220.200, 0211240.100

The dimensions of the mudguards shown in the table are approximate



TT-number	B width mm	S span mm	R radius mm	L length mm	H height mm	Q weight kg/pc	Tyre dimensions (dimensions are approximate)
0211230.000	230	900	450	1400		1.1	165/75R16C; 155R15;
0211270.100	270	1000	500	1670	550	1.9	7.5R15; 9.00R15; 7.5R16; 8-8.5R17.5; 205/75-215/75R17.5 - material ISTOFLEX
0211270.200	270	1120	560	1870	615	2.4	8.25-9.00R16; 9.5-10R17.5; 8-9.5R19.5; 7.00-8.25R20 - material ISTOFLEX
0211270.300	270	880	440	1380	440	1.3	
0211280.000	280	900	450	1380		1.3	7.50R15; 9.00R15; 205/75 - 215/75 R17,5
0211300.100	300	1120	550	1730	550	2.5	10R17.5; 10.00R15; 235R16C; 24516C
0211350.000	370	1300	650	2260	750	4.2	255/70R22.5; 275/80R22.5;
0211380.000	380	780	390	1220		2.6	185-205/70R15; 185-205/75R14; 185-195/75R16
0211400.200	400	880	440	1380	440	2.0	185-205/70R15; 185-215/75R14
0211400.300	400	1000	500	1470	452	2.3	165R14(Z); 165R14C(Z); 6.70R13(Z)
0211430.005	430	1300	650	2125		3.3	165R14; 165R14C; 6.70R13
0211450.100	450	880	440	1380		3.2	7.00R15; 6.00-6.5R15; 7R17.5; 7R19.5
0211450.200	435	1320	660	2100		4.5	385 / 65R22.5; 425/65R22.5; 16.5R22,5
0211450.400	450	1300		1900		4.2	13/75R22.5; 385/65R22.5; 15R22.5
0211480.200	480	1120	560	1870	615	3.8	7.00R20(Z)
0211500.105	500	1100	550	1700		4	AVIA A 60/75; 205/65R17,5; 205-215/75R17,5
0211510.000	510	1010	505	1670		4.0	AVIA A 60/75; 205/65R17,5; 205-215/75R17,5
0211550.000	550	1000	500	1600	550	4.3	205/215R14C; 205-215R16C; 9R17.5; 205/75-225/75R17.5;
0211550.100	550	1100	550	1750	550	4.3	225-235/75R17,5; 9,5R17,5
0211550.200	550	1150		1720		5	225-235/75R17,5; 9,5R17,5
0211600.100	600	1150	575	1730		5	255/70R22,5; 245-265/70R19,5; 245/70R17,5
0211620.000	620	1120	560	1870	615	5.1	10R17.5; 10/70R22.5; 235/75R17.5; 245/70R19.5
0211650.100	650	1120	550	1870	615	5.5	10.00R15; 265/70R19.5; 275/70R22.5
0211650.400	650	1270	650	1960		5.5	10.00R20; 295/70R22.5; 12/80R22.5
0211650.500	650	1280		1900		5.5	
0211660.000	650	1340	670	2100		6.0	275/70R22,5; 295/75R22,5; 275-285/80R22,5
0211670.305	670	1340	670	2125		7.1	11.00R20(Z); 12.00R20(Z); 10.00R22(Z); 11R22(Z)
0211670.205	670	1340	670	2125	680	7.0	
0211700.200	700	1300		1900		6.2	12R22.5; 315/80R22.5; 13R22.5; 13/75R22.5

MUDGUARDS WITH FLAT PLASTIC SURFACE

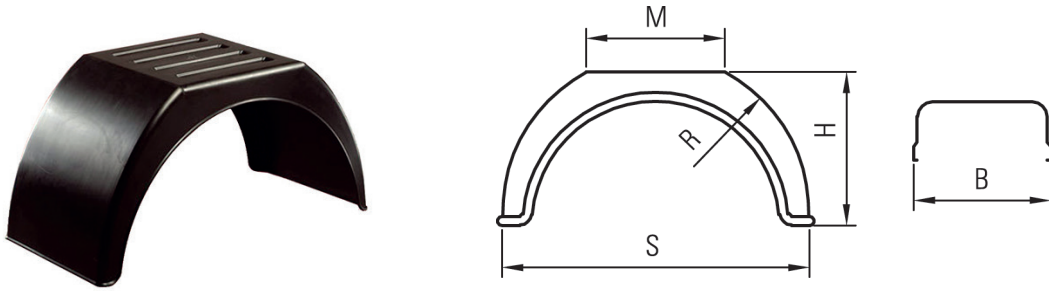
Material: polyethylene; colour: black

Material: istoflex for mudguards: 0211240.200, 0211270.100, 0211270.200

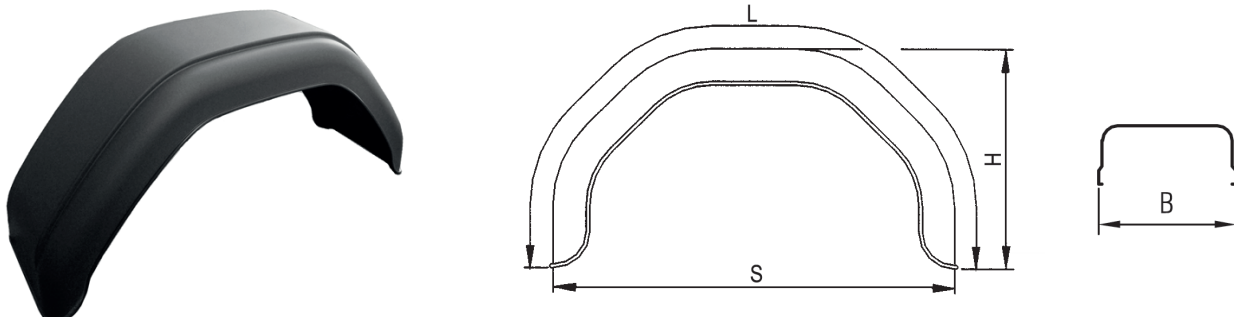
Features: lightweight, high strength and flexibility, weather resistant

The size of the mudguard is selected according to the width of the tyre (+ min. 60 mm) and tyre radius (+ 80 mm or more)

The dimensions of the mudguards shown in the table are approximate



TT-number	B width mm	R radius mm	S span mm	H height mm	M length mm	Q weight kg/pc	Tyre dimensions (dimensions are approximate)
0212260.005	260	380	880	450	400	1.9	
0212280.000	280		870	440	400	1.55	
0212300.100	300		895	470	400	2.5	
0212450.005	450	400	920	460	400	3.1	
0212450.300	450		910	450	400	4.6	
0212495.000	495		1000	550	500	3.57	
0212510.005	510	430	1000	550	510	4.0	
0212550.100	550		1080	560	660	4.9	
0212550.005	550	512	1150	570	650	4.9	
0212600.000	600		1200	620	700	6.0	
0212650.000	650	750	1330	715	750	6.9	9,00-11,00R20; 11,00-12,00R22,5; 12/80R22,5; 315/75R22,5; LIAZ



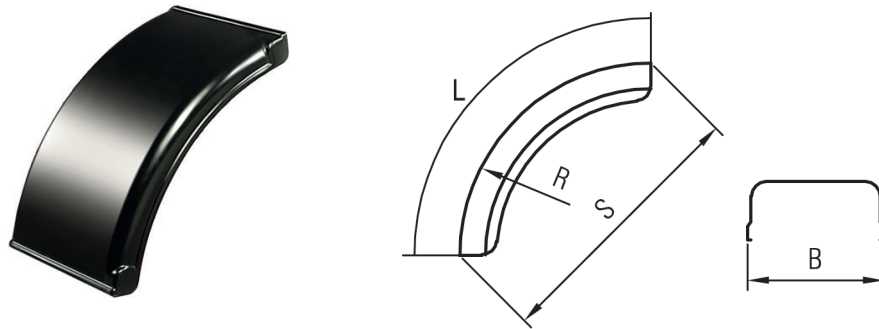
TT-number	B width mm	L length mm	S span mm	H height mm	Q weight kg/pc	Tyre dimensions (dimensions are approximate)
0211220.300	220	1120	750	330	1.0	155/70 R12L-165/70 R14 5.60-6.15/155-13
0211240.300	240	1235	800	380	1.1	7.00 R13; 175-185 R13; 175-185 R14; 175/70 R14

MUDGUARDS QUARTERS

Colour: black

Features: lightweight, high strength and flexibility, weather resistant

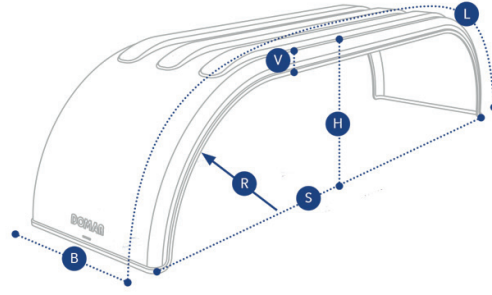
The dimensions of the mudguards shown in the table are approximate



TT-number	B width mm	R radius mm	L length mm	S span mm	Q weight kg/pc
0213450.000	450	660	800	750	1.5
0213650.300	650	670	700		1.4
0213660.000	660	670	800	750	2.0
0213670.005	670	630	800	750	2.0
Mudguards - material galvanized, with plastic edge 6 cm					
0213651.000	650		800		3.1



THREE-PIECE PLASTIC MUDGUARDS - MULTI-AXLE



TT-number	Name	Mudguard width B mm	R mm	S mm	H mm
0214670.000	Plastic multi-axle mudguard	670	635	2680	620
0214671.000	Plastic multi-axle mudguard - half	670	635	1340	620

COMBI MUDGUARDS

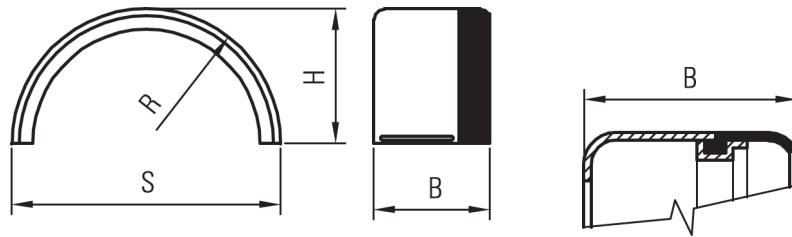
Material: galvanized sheet metal and outer plastic edge

Colour: galvanized + black plastic

The dimensions of the mudguards shown in the table are approximate

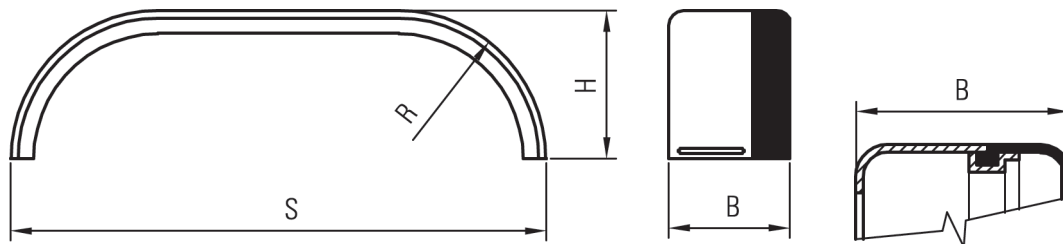


Single-axle



TT-number	B width mm	R radius mm	S span mm	H height mm	Q weight kg/pc
0215200.000	200	390	750	390	2.9
0215220.000	220	410	800	410	3.3

Two-axle



TT-number	B width mm	R radius mm	S span mm	H height mm	Q weight kg/pc
0215221.000	220	380	1540	390	5.2
0215650.000	650		2740	690	15.0
0215650.300	650		1340		15.0

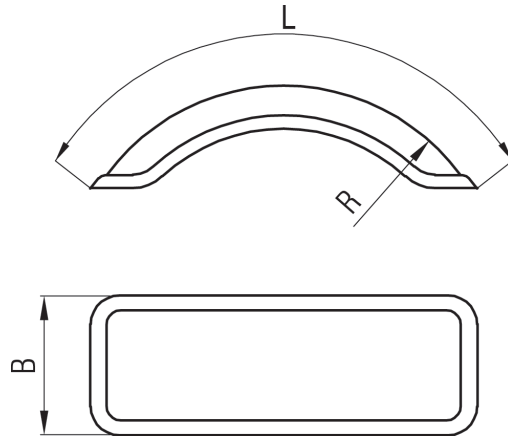
PLASTIC TRACTOR MUDGUARDS

Material: polyethylene

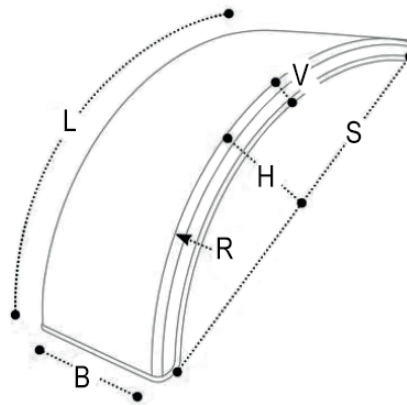
Colour: black

Properties: lightweight, high strength and flexibility, weather resistant

Mudguard dimensions are approximate



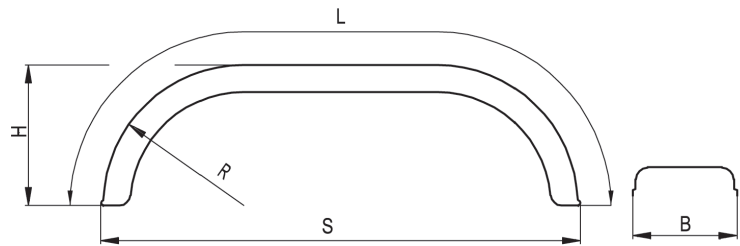
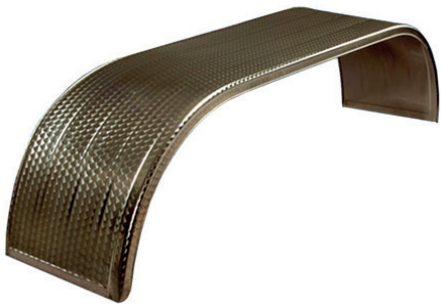
TT-number	B width mm	R radius mm	L length mm	Q weight kg/pc
0216230.000	230	540	900	1.1
0216315.000	315	680	1130	1.4
0216355.000	355	720	1245	1.8



TT-number	B width mm	R radius mm	L length mm	H height mm	S span mm	V mm	Q weight kg/pc
0216520.000	520	820	1550	350	1330	50	2.5
0216520.100	520	820	1550	350	1330	50	3.4

MULTI-AXLE MUDGUARDS - AL PROTRUDING SHEET

Material: AlMg 3 Al protruding sheet



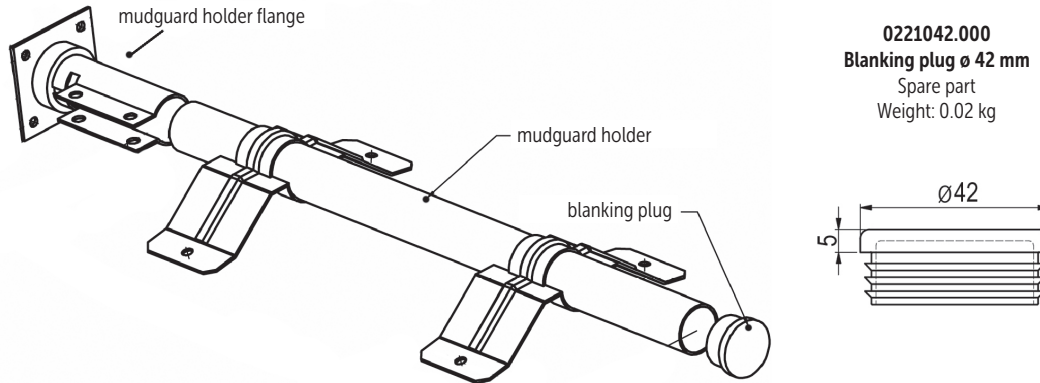
TT-number	B width mm	R radius mm	S span mm	H height mm	L length mm	axle spacing mm	Q weight kg/pc
0217650.000	655	650	2750	650	3530	1450	19.4

MUDGUARD HOLDERS \varnothing 42 mm

Designed for attaching mudguards to the vehicle chassis, 2 holders for 1 mudguard are used, the holder has 2 brackets, \varnothing 42 mm is used for smaller cars and lightweight mudguards, for heavier mudguards we recommend using \varnothing 54 mm holders.

Installation instructions:

The position of the flange and the length of the pipe insertion are important to avoid possible breakage of the flange. The flange feet for clamping the pipe must be horizontal (parallel to the ground) and the pipe shall be inserted along the full length of the flange. The inner bracket of the holder is loose on the tube and must be secured to the tube after attachment to the mudguard, e.g. with rivets.



TT-number	Name	Drawing
0221001.000	Mudguard holder flange \varnothing 42 mm Material: galvanized steel Weight: 0.6 kg	
0221002.000	Mudguard holder \varnothing 42 mm Pipe with 2 brackets and blanking plug Material: galvanized steel Weight: 1.6 kg	
0221008.000	Mudguard holder, bent \varnothing 42 mm 4 x 2, 6 - 825 mm Material: hot-dip galvanized Weight: 3.4 kg	

0221009.000	Mudguard holder, bent with 60 mm flange for M16 screw Material: hot-dip galvanized Weight: 3.3 kg	
0221009.100	Mudguard holder, bent with 60 mm flange for M16 screw black powder coating Material: metal - black powder coating Weight: 2.3 kg	

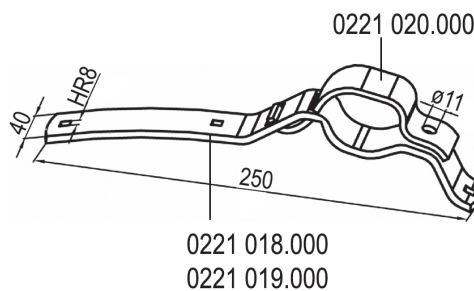
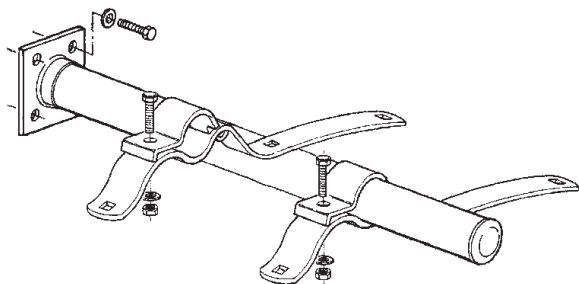


TT-number	Name	Drawing
0221031.000	<p>Mudguard holder \varnothing 42 mm, S = 2 mm Material: galvanized steel Weight: 1.1 kg</p> <p>Mudguard holder flange 0221001.000 and blanking plug 0221042.000 not included as standard</p>	
0221006.600	<p>Mudguard holder with blanking plug \varnothing 42.4 mm; L = 600 mm (pipe with flange) Material: galvanized steel Weight: 1.5 kg</p>	
0221006.700	<p>Mudguard holder with blanking plug \varnothing 42.4 mm; L = 700 mm Material: galvanized steel Weight: 1.6 kg</p>	
0221010.000	<p>Mudguard holder with blanking plug (pipe with flange) Material: steel, black powder coating Weight: 1.4 kg Designed for type AVIA 60/75</p>	
0221030.600	<p>Mudguard holder \varnothing 42 with screw and blanking plug galvanized steel L = 600 mm Weight: 1.8 kg</p>	
0221030.700	<p>L = 700 mm Weight: 1.96 kg</p>	
0221030.800	<p>L = 800 mm Weight: 1,2,3 kg</p>	



TT-number	Name	Drawing
0221015.000	<p>Bracket Material: galvanized steel Weight: 0.3 kg</p>	
0221016.100	<p>Sliding bracket Material: galvanized steel Weight: 0.5 kg Including fastening materials Allows for convenient mounting of the mudguard and adjusting the position of the holder</p>	
0221022.000	<p>Plastic bracket \varnothing 42 mm - sliding Material: plastic Colour: black Weight: 0.34 kg/pc</p>	
0221026.000	<p>Plastic bracket \varnothing 42 mm - sliding Material: plastic Colour: black Weight: 0.42 kg/pc</p>	

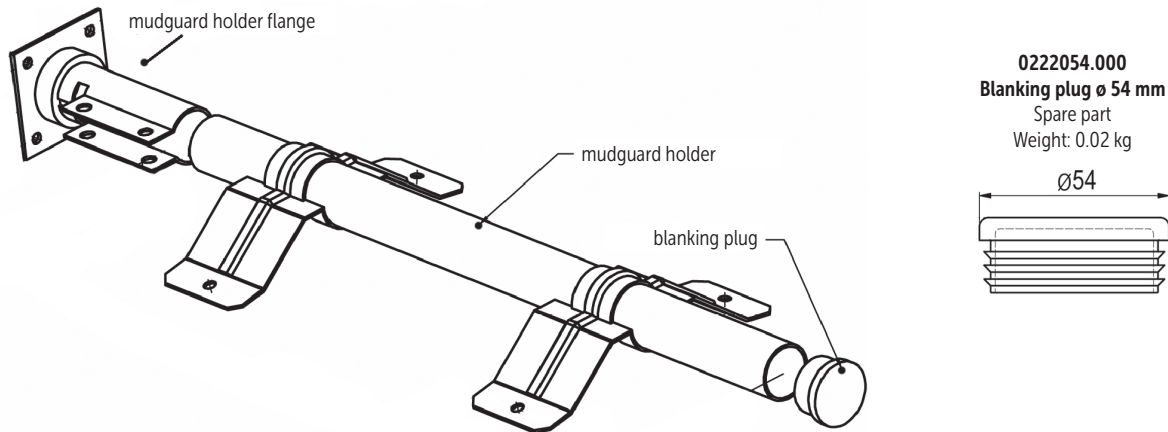
Example of installation



TT-number	Name	Drawing
0221018.000	Bracket long for R = 550 mm without counterpart Weight: 0.6 kg	
0221019.000	Bracket long for R = 650 mm without counterpart Weight: 0.8 kg	
0221020.000	Counterpart Material: galvanized steel Weight: 0.29 kg	

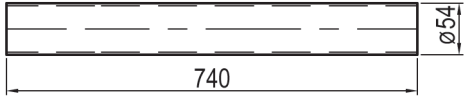
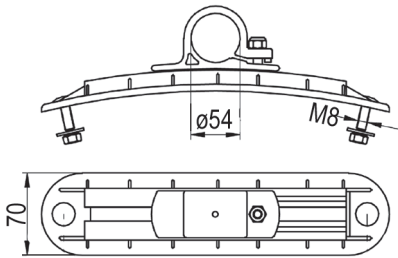
MUDGUARD HOLDERS ø 54 mm

Designed for attaching mudguards to the vehicle chassis, 2 holders for 1 mudguard are used, the holder has 2 brackets, ø 54 mm is used for larger cars and heavier mudguards.



TT-number	Name	Drawing
0222001.000	Mudguard holder flange ø 54 mm Material: galvanized steel Weight: 0.6 kg	
0222002.000	Mudguard holder ø 54 mm Pipe with 2 brackets and blanking plug Material: galvanized steel Weight: 3.0 kg	
0222003.000	Bracket ø 54 mm Material: galvanized steel Weight: 0.5 kg	



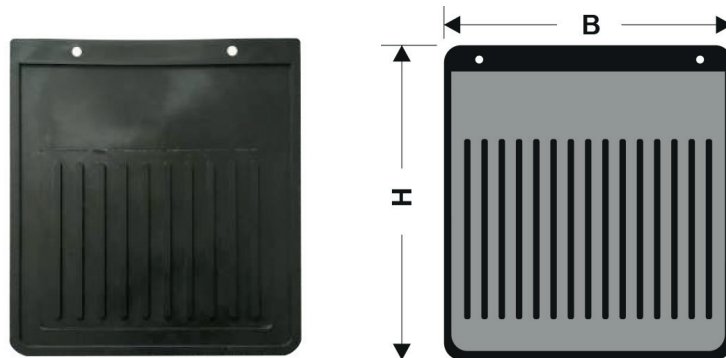
TT-number	Name	Drawing
0222002.740	<p>Tube D = 54 mm; L = 740 mm Material: galvanized steel Weight: 1.9 kg/pc</p>	
0222022.000	<p>Plastic bracket ø 54 mm - sliding including fastening materials Material: black plastic Weight: 0.3 kg</p>	

MUD FLAPS

The mud flaps are made of PVC and have reinforced edges and vertical grooves at the top and bottom, guaranteeing good strength and rigidity. The smooth surface between the grooves can be used for customer-specific logos, hardness approx. 80 Shore A, heat stable from -30° to +70°C. Fixing strips including fastening materials are included in the delivery as standard.

Material: PVC

Colour: black



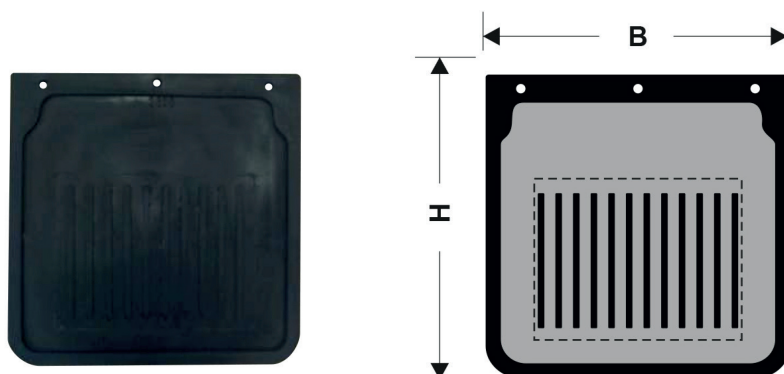
Mud flaps			
TT-number	B width mm	height H mm	Q weight kg/pc
0238220.240	220	240	0.35
0238260.260	260	260	0.35
0238300.300	300	300	0.55
0238350.300	350	300	0.65
0238400.300	400	300	0.75
0238400.400	400	400	0.85
0238450.400	450	400	0.95
0238500.300	500	300	0.95
0238500.400	500	400	1.05
0238550.300	550	300	0.90
0238550.400	550	400	1.45
0238600.300	600	300	1.00
0238600.400	600	400	1.60
0238650.300	650	300	1.15
0238650.400	650	400	1.80

ANTI SPRAY MUD FLAPS

The mud flaps are made of PVC and have reinforced edges and vertical grooves at the top and bottom, guaranteeing good strength and rigidity. The smooth surface between the grooves can be used for customer-specific logos, hardness approx. 80 Shore A, heat stable from -30° to +70°C. Fixing strips including fastening materials are included in the delivery as standard.

Material: PVC

Colour: black



Mud flaps			
TT-number	B width mm	height H mm	Q weight kg/pc
0239260.260	260	260	0.35
0239300.300	300	300	0.55
0239350.300	350	300	0.65
0239400.300	400	300	0.75
0239400.400	400	400	0.85
0239450.400	450	400	0.95
0239500.300	500	300	0.95
0239500.400	500	400	1.05
0239550.300	550	300	0.90
0239550.400	550	400	1.45
0239600.300	600	300	1.00
0239600.400	600	400	1.60
0239650.300	650	300	1.15
0239650.400	650	400	1.80



COMBINED MUD FLAPS

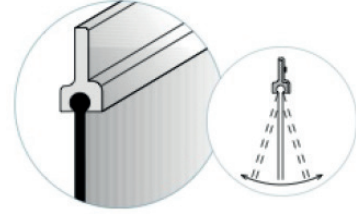
0232250.000

Combined mud flap for trailers and trucks including mounting rails

Dimensions: 2400 mm x 350 x 4 mm

Material: plastic

Weight: 5.5 kg



MUD FLAPS - ANTI-SPLASH - INSERT LINE

Material: PVC

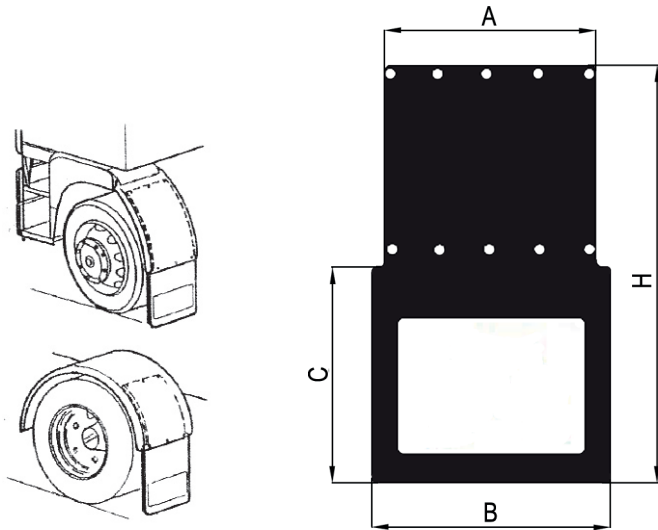
Hardness 60 / 75, heat stable from -35° to +40°, non-flammable

Mud flap colour: black

Thickness of the mud flap plate S = 4 mm

The thickness of the mud flap including ANTI-SPRAY is 14 mm

The mud flaps are certified according to TÜV-PFALZ



Logos can be placed on the mud flaps.
Logo colour: 1-3 coloured

Example:



TT-number	B width mm	height H mm	A mm	C mm	thickness mm
0236350.450	350	820	330	450	4 / 14
0236400.450	400	820	330	450	4 / 14
0236450.450	450	820	400	450	4 / 14
0236530.450	530	820	450	450	4 / 14
0236620.450	620	820	550	450	4 / 14
0236650.450	650	820	600	450	4 / 14

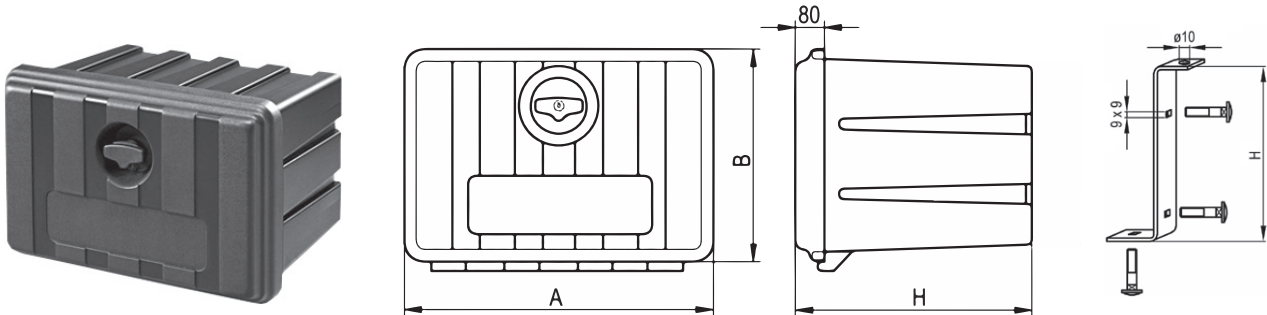


TOOLBOXES - NOVA BOX

Lockable, closing latches in three directions, rubber seal with a circular cross-section around the perimeter, closure with a cap to protect it against weather conditions, the box has reinforcing mouldings around the perimeter.

Impact-resistant: the plastic returns to its original shape after an impact.

- No rust, no maintenance
- Low weight
- Stackable, optimization of packaging and costs
- Custom logos available

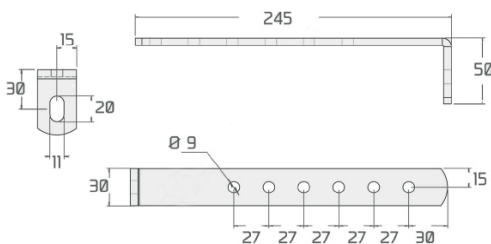


Toolboxes				Box holder		
TT-number	Width A mm	Depth H mm	Height B mm	TT-number	H mm	Weight Q kg/pc
0244050.350	500	300	350	0241301.450	350	0.85
0244051.350	500	400	350	0241301.450	350	0.85
0244060.400	600	470	400	0241301.450	450	0.85
0244064.530	640	490	530	0241301.550	550	1.00
0244080.480	800	470	480	0241301.550	550	1.00
0244100.500	1000	500	500	0241301.550	550	1.00

We recommend securing the items in the box against spontaneous movement and inserting plywood at the bottom to ensure even load distribution. The boxes can be fitted with so-called "Z" holders, which are attached to the box with M8 screws with self-locking nuts. From inside the box, we recommend using flat steel or washers for wooden structures instead of standard washers ČSN 021729 (021727). Because the box is conical, the bottom is not horizontal with the ground when using the holders.

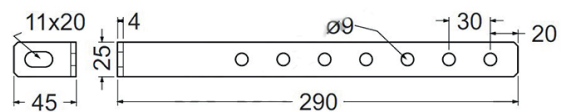
Universal box holder

0241300.245



Universal box holder

0241300.290



Box latch including cap - ND

0241250.000



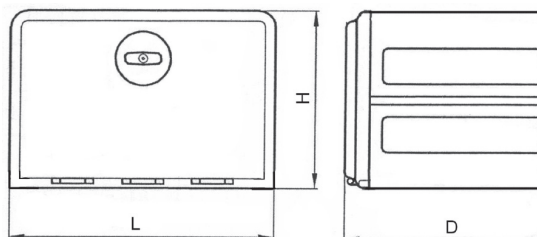
PVC cover - ND

0241251.000



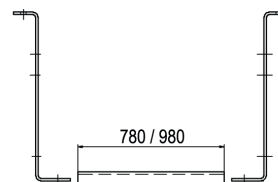
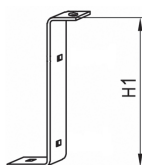
MAGIC BOX TOOLBOXES

MAGIC BOX is the latest range of toolboxes. It is made of polyethylene by the rotational moulding method. The box is equipped with a safety system against spontaneous opening. Material: polyethylene; Colour: black, max. temperature -45 to +60°C.



Set "Z"
0241301.450
0241301.550

Set "Z + U"
0241302.xxx
Set includes 4 "Z" pcs and 2 "U" pcs



The shape of the box with two latches is valid for:
0241210.000, 0241211.000, 0241212.000

TT-number	Toolboxes					Accessories			
	Width L mm	Depth D mm	Height H mm	Max load capacity kg	Q weight kg/pc	Box holder			
						TT-number set "Z"	TT-number set "Z + U"	H 1 mm	Weight Q kg/pc
0241204.000	400	370	350	45	3.92	0241301.450	-	450	3.4
0241203.000	500	250	250	35	3.0	0241301.300	-	300	
0241205.000	500	370	400	55	6.55	0241301.450	-	450	3.4
0241202.000	600	470	400	65	7.38	0241301.450	-	450	3.4
0241206.000	600	470	450	65	9.46	0241301.550	-	450	3.4
0241201.000	700	350	350		8.90	0241301.450			
0241207.000	700	600	500	65	10.08	0241301.550	-	550	4.0
0241208.000	800	490	500	65	12.71	0241301.550	0241302.085	550	4.0
0241209.000	800	490	400	65	8.61	0241301.450	0241302.084	450	3.4
0241210.000	1000	490	500	70	15.94	0241301.550	0241302.105	550	4.0
0241211.000	1000	490	400	70	11.42	0241301.450	0241302.104	450	3.4
0241212.000	1200	480	500	75	17.0	0241301.550	-	550	4.0
0241213.000	1200	480	400		15.8	0241301.450		450	3.4

0241203.000 is box type RTM

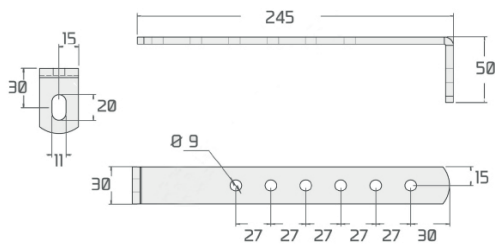
MAGIC BOX TOOLBOXES

Installation instructions:

The long service life and functionality of the box is also related to its correct attachment to the vehicle. The boxes are designed for horizontal mounting. Use our recommended holders for attachment to the vehicle. Ensure that the holder is correctly positioned in relation to the box so that the box is not deformed or bent. If these conditions are not met, we cannot guarantee the tightness of the box. For attachment to the floor or frame, use the galvanized M8 strength screw, while for attaching the box to the holder use the galvanized M8 neck screw. The lock must be lubricated once every 14 days (graphite is recommended). Items placed in the box must not be allowed to move freely to avoid damaging the lid. Before driving, check that the box is closed and locked securely. The box must have plywood on the bottom to distribute load points on the bottom.

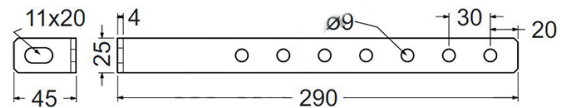
Universal box holder

0241300.245



Universal box holder

0241300.290



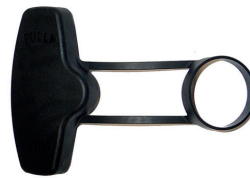
Box latch including cap - ND

0241250.000



PVC cover - ND

0241251.000

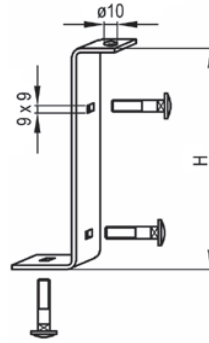


MINI TOOLBOX

Production by injection moulding of high quality polypropylene (FR). Fully recyclable

Material: polypropylene

Colour: black, max. temperature -45 to +60°C

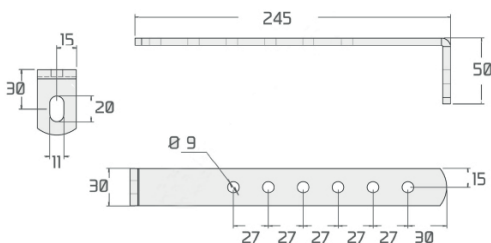


TT-number	Width (mm)	Depth (mm)	Height (mm)	Q weight kg/pc
0244035.350	350	350	350	2.2



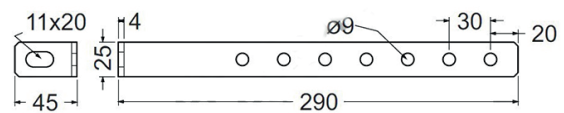
Universal box holder

0241300.245



Universal box holder

0241300.290



TRAILER TOOLBOXES

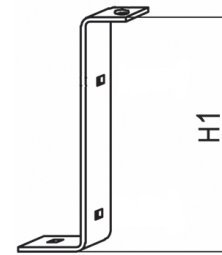
The TRAILER toolbox is especially suitable for mounting on a trailer drawbar
 Production by injection moulding of high quality polypropylene (FR). Fully recyclable
 Overlapping reinforced lid
 Double ergonomic closing clip
 Option of adding a security padlock
 Material: polypropylene
 Colour: black, max. temperature -45 to +60°C



TT-number	Width mm	Depth mm	Height mm	Q weight kg/pc
0245063.355	630	321	355	2.5

EVO BOX TOOLBOXES

Lockable, perimeter rubber seal
 the box is fitted with reinforcing mouldings
 Material: polyethylene
 Colour: black



0241301.450
Set "Z"
 Set contains 4 "Z" pcs

TT-number	Toolboxes				Box holder	
	B Width mm	D Depth mm	H Height mm	Q weight kg/pc	TT-number	Q weight set "Z" kg/pc
0244250.350	500	430	350	4.85	0241301.450	3.4
0244260.400	600	500	450	6.15	0241301.450	3.4

Installation instructions:

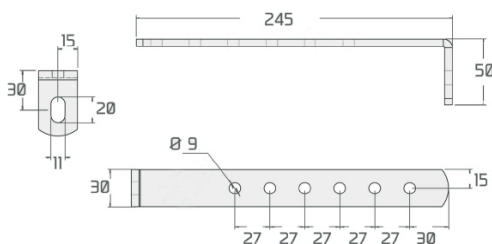
The long service life and functionality of the box is also related to its correct attachment to the vehicle. The boxes are designed for horizontal mounting. Use our recommended holders for attachment to the vehicle. Ensure that the holder is correctly positioned in relation to the box so that the box is not deformed or bent. If these conditions are not met, we cannot guarantee the tightness of the box.

For attachment to the floor or frame use the galvanized M8 strength screw, while for attaching the box to the bracket use the galvanized M8 neck screw. The lock must be lubricated once every 14 days (graphite is recommended).

Items placed in the box must not be allowed to move freely to avoid damaging the lid. Before driving, check that the box is closed and locked securely. The box must have plywood on the bottom to distribute load points on the bottom.

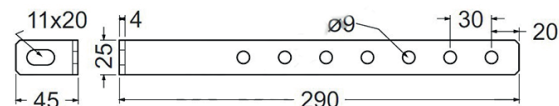
Universal box holder

0241300.245



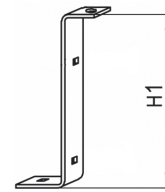
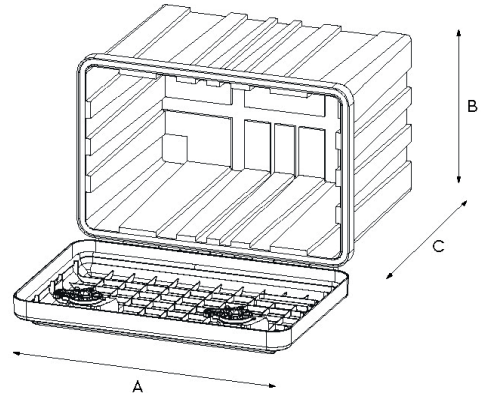
Universal box holder

0241300.290



ECO BOX TOOLBOXES

Lockable, perimeter rubber seal
the box is fitted with reinforcing mouldings
Material: polyethylene
Colour: black



0241301.450

Set "Z"

Set contains 4 "Z" pcs

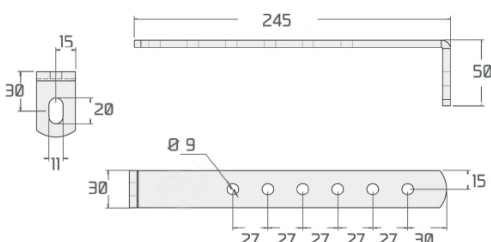
Toolboxes						Box holder	
TT-number	A Width (mm)	B Height (mm)	C Depth (mm)	Q weight kg/pc	Capacity (l)	TT-number	Weight set "Z" kg/pc
0246075.350	750	350	300	4.5	47.5	0241301.450	3.4
0246076.350	750	350	450	5.2	74.5	0241301.450	4.0
0246082.500	826	500	470	7.8	127	0241301.550	4.0

Installation instructions:

The long service life and functionality of the box is also related to its correct attachment to the vehicle. The boxes are designed for horizontal mounting. Use our recommended holders for attachment to the vehicle. Ensure that the holder is correctly positioned in relation to the box so that the box is not deformed or bent. If these conditions are not met, we cannot guarantee the tightness of the box. For attachment to the floor or frame use the galvanized M8 strength screw, while for attaching the box to the bracket use the galvanized M8 neck screw. The lock must be lubricated once every 14 days (graphite is recommended). Items placed in the box must not be allowed to move freely to avoid damaging the lid. Before driving, check that the box is closed and locked securely. The box must have plywood on the bottom to distribute load points on the bottom.

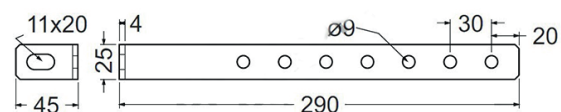
Universal box holder

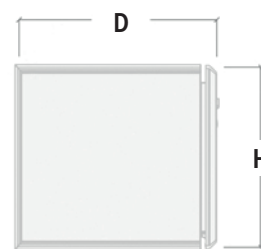
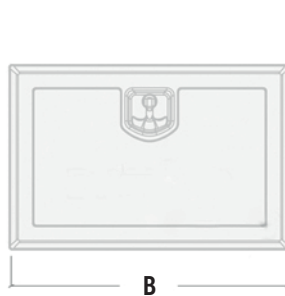
0241300.245



Universal box holder

0241300.290





TT-number	Width B mm	Depth D mm	Height H mm	Weight kg/pc
0248050.350	500	400	350	9.5
0248060.400	600	500	400	13.5
0248080.500	800	500	500	19
0248080.600	800	600	600	37
0248100.500	1000	500	500	23

STAINLESS STEEL box holder

0241300.422

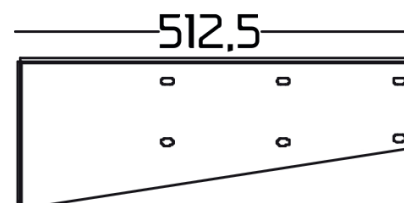
For 0248050.350 and 0248060.400



STAINLESS STEEL box holder

0241300.512

For 0248080.500 and 0248100.500



FIRE EXTINGUISHER BOXES

The GRISU 6-9 fire extinguisher boxes are manufactured in a rotational moulding process, with double walls, a fixing strap and seals. They are available in left or right-hand versions, for one or two fire extinguishers. Option of using a padlock.



0251001.000



0251002.000



TT-number	Weight of fire extinguisher kg	Height H mm	Width A mm	Depth B mm	Colour Lid/other	Q weight kg/pc
0251001.000	6	565	300	175	red	6
0251002.000	6/9	710	340	240	red/black	4.6
0251003.000	6/9	740	570	240	red/black	7.5

Fire extinguisher boxes are manufactured by injection moulding. Both left and right-hand versions. Option of using a padlock. The boxes are certified for flame retardancy, leakage and vibrations.



0251004.000

TT-number	Weight of fire extinguisher kg	Height H mm	Width A mm	Depth B mm	Colour Lid/other	Q weight kg/pc
0251004.000	6	635	277	277	red/black	1.74

WATER TANK

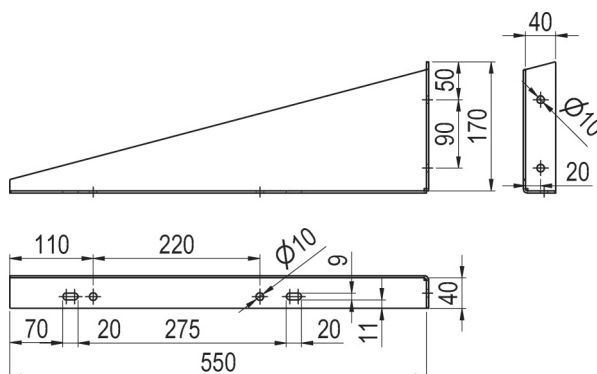
Water tank 30 and 50 litres

Colour: white

Material: polyethylene



0251030.000



0251131.100

TT-number	Volume litre	Q A mm	Dimension B mm	Dimension C mm	Length L mm	Weight Q kg/pc	Tank holder (left + right)
0251030.000	30	300	340	390	475	2.70	0251131.100
0251050.000	50	375	430	470	500	3.20	0251131.100

The stopper can be replaced by a soap dispenser, which is threaded and also serves to close the tank.

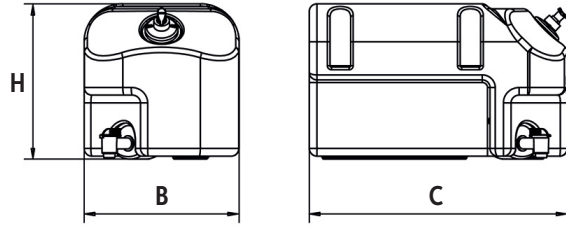
Please note: when attaching the tank to the holder, use an M8 screw with a maximum length of 20 mm.

If a longer length of screw is used on the tank a puncture or loosening of the soldered nut will occur resulting in fluid leakage, so for this reason it is also necessary to tighten these screws carefully so that the soldered nut does not loosen.

TT-number	Name	Material/Colour	Weight Q kg/pc
0251303.000	Soap dispenser	Polyethylene/white P	0.06
0251302.000	Tank stopper, screw-on	plastic	0.10
0251301.100	Drain cock	plastic	0.10

A drain cock and stopper are included in the tank. The stopper can be replaced by a soap dispenser, which is threaded and also serves to close the tank.

WATER TANK



TT-number	Volume litre	Width B mm	Depth C mm	Height H mm	Weight Q kg/pc	Tank holder (left + right)
0251018.100	18	345	293	310	1.9	0251118.100
0251025.100	25	300	495	303	2.6	0251125.100
0251040.100	40	360	495	360	3	0251125.100

Tank holder 18L

0251118.100



Tank holder 25L and 40L

0251125.100



Plastic drain cock

0251301.000



Soap dispenser black

0251304.000

A drain cock and soap dispenser are included in the tank. The soap dispenser can be replaced by a stopper.